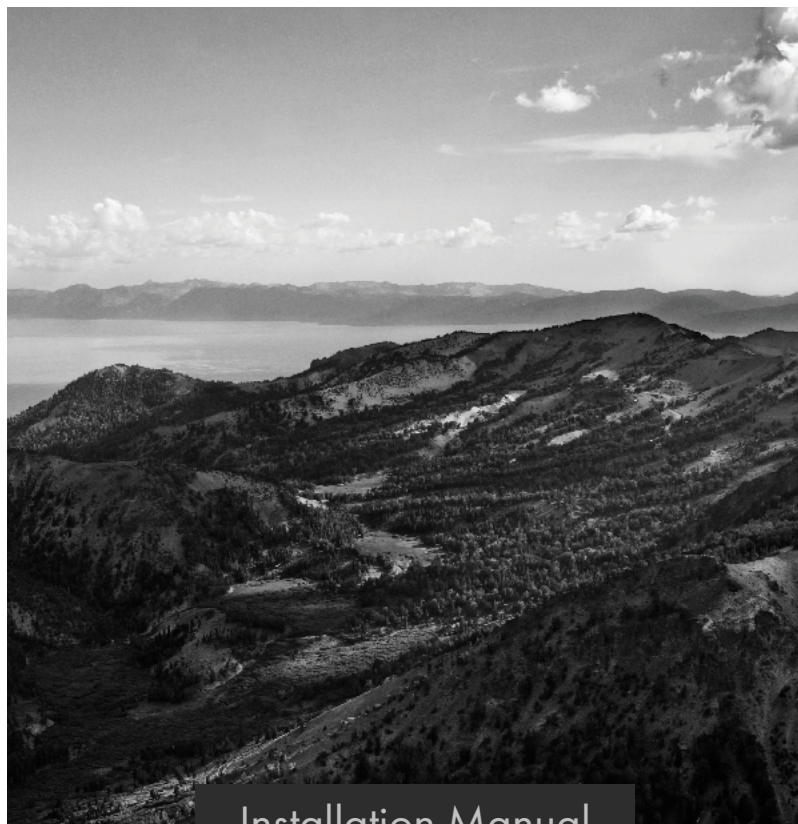


ZLINE

ATTAINABLE LUXURY[®]



Installation Manual

CLASSIC DISHWASHER

www.zlinekitchen.com



ZLINE Kitchen and Bath provides Attainable Luxury, where the kitchen and bath of your dreams is never out of reach. Through our unique designs and unparalleled quality, we're dedicated to providing you an elevated experience in the heart of your home. With an endless selection of features and finishes, our inspiration is your reality.

ZLINE
ATTAINABLE LUXURY®



ZLINE is fueled by a passion for innovation; A relentless pursuit of bringing the highest end luxury designs and professional features into everyone's homes. Because we continually strive to improve our products, we may change specifications and designs without prior notice.

⚠ WARNING: This product can expose you to chemicals including nickel, which is known to the State of California to cause cancer. For more information, go to www.P65Warnings.ca.gov.

TABLE OF CONTENTS

IMPORTANT SAFETY INSTRUCTIONS.....	1
BEFORE INSTALLATION.....	4
INSTALLATION	8
WARRANTY.....	24

IMPORTANT SAFETY INSTRUCTIONS

Throughout this manual, you'll see Warning and Caution notes. These warnings, cautions, and important safety instructions do not cover all possible conditions and situations that may occur. It's your responsibility to use common sense, caution, and care when installing, maintaining, and operating the dishwasher. ZLINE is not liable for damages resulting from improper use or installation.

NOTE: These warning signs are here to prevent injury to you and others. Please follow them explicitly. After reading this manual, keep it in a safe place for future reference.

IMPORTANT SAFETY INSTRUCTIONS



Hazards or unsafe practices that may result in severe personal injury or death.



Hazards or unsafe practices that may result in personal injury or property damage.



To reduce risk of fire, explosion, electric shock, or personal injury when using the dishwasher, follow these basic safety precautions.



Make sure the machine is grounded to prevent electric shock.

- Installation and repair should be performed by a qualified installer, such as an insured licensed plumber or contractor. Installation performed by non-professionals could be dangerous and result in improper installation and property damage, which may void the warranty.
- Install and store the dishwasher inside, away from exposure to weather



Do not install the dishwasher near electrical components. Keep the dishwasher away from open flames.

IMPORTANT SAFETY INSTRUCTIONS

PROPER INSTALLATION

- Please install your dishwasher properly by following this installation guide.
- Do not install the dishwasher on a carpet, as this is a fire hazard.
- Do not install the dishwasher in a location where the water may freeze (where the temperature falls below 32 °F/0 °C). Frozen water in the hoses or pipes may damage the dishwasher.
- Water supply inlet temperature should be between 120 °F–149 °F (49 °C–65 °C).
- Dispose of all packing materials for this appliance properly.
- The dishwasher must be properly grounded or it can result in a risk of electric shock. A permanent electrical connection is allowed.
- Do not operate the appliance if it's damaged, malfunctioning, partially disassembled, or has missing or broken parts. If the unit arrives damaged, contact ZLINE at 1-614-777-5004 for help.

BASIC PRECAUTIONS BEFORE USE

- Read all instructions and precautions in both the installation manual and user manual before using the dishwasher.
- Please note this installation manual does not cover every possible condition and situation that may occur. A qualified technician or plumber must install the product.
- Use the dishwasher only for the intended functions described in this manual.
- When loading dishes and other items to be washed:
 - Load sharp items and knives so they do not damage the door seal and tub.
 - Load sharp items and knives with the handles up to reduce the risk of injury.
- Do not wash plastic food storage receptacles (e.g. Tupperware) or other items unless they are marked dishwasher-safe. If they are not marked, check with the manufacturer for recommendations, as items that are not dishwasher-safe may melt and create a potential fire hazard.
- If the dishwasher drains into a food/garbage disposal, make sure the disposal is completely empty before running the dishwasher.
- Do not tamper with the control panel on the dishwasher.
- Do not operate your dishwasher unless all enclosure panels are in the proper place.
- Do not touch the heating element during or immediately after any washing, sanitizing, or drying cycle to reduce the risk of injury.

IMPORTANT SAFETY INSTRUCTIONS

- To reduce the risk of injury, do not allow children to play in or on a dishwasher. Keep young children and pets away from the dishwasher when it is operating. Do not let children abuse, sit, or stand on the door or racks of the dishwasher.
- Do not use the dishwasher if it has a damaged power line or plug. Do not plug the dishwasher into a damaged outlet. Failure to observe these instructions may result in electrical shock or death.
- Use only detergents or rinse agents recommended for use in a dishwasher. Keep them out of the reach of children and away from pets.
- Some dishwasher detergents are strongly alkaline. They can be extremely dangerous if swallowed. Avoid contact with the skin and eyes and keep children away from the dishwasher when the door is open.
- Under certain rare conditions, hydrogen gas may be produced in a hot water system that has not been used for two weeks or more. If the hot water system has not been used for such a period, before using the dishwasher, turn on all hot water faucets and let water flow from each for several minutes. This will release any accumulated hydrogen gas. Hydrogen gas is flammable. Do not smoke or use an open flame during this time to reduce risk of fire, injury, or death.
- Do not store or use combustible materials, gasoline, or other flammable vapors and liquids in the vicinity of this or any other appliance.
- Remove the door to the washing compartment when removing an old dishwasher from service or discarding it.
- This dishwasher is intended for residential use only and should not be used in commercial establishments. This appliance is not applicable for outdoor usage. The manufacturer disclaims responsibility for damage or injury caused by improper use of this appliance.



For your safety, please follow the information in this manual to minimize the risk of fire, explosion, electric shock, and to help prevent property damage or personal injury.

BEFORE INSTALLATION

ELECTRICAL GROUNDING INSTRUCTIONS

- As with all equipment using electricity, water, and moving parts, potential hazards exist. To safely operate this appliance, become familiar with its operation and exercise care when using it.
- The dishwasher must be properly grounded. Never connect it to an ungrounded outlet.



Prior to removal of the original dishwasher and the installation of your new unit, make sure to switch off your circuit breaker. Do not connect the dishwasher until you have fully completed the installation. Connecting the power cable is the last step when installing the dishwasher. All wiring and grounding must be done in accordance with the electrical code applicable to the region.

- For a permanently connected appliance, the dishwasher must be connected to grounded metal permanent wiring system, or an equipment-grounding conductor must be run with the circuit conductors and connected to the equipment-grounding terminal or lead on the appliance.
- The dishwasher is very heavy at roughly 100 pounds (45 kilograms). Do not attempt to move or carry a dishwasher alone. Two or more people are needed to move a dishwasher and avoid potential injuries.



Do not touch the power cable with wet hands. Do not connect another appliance to the same power outlet as the dishwasher. Doing so increases the risk of electrical shock.

ELECTRIC SHOCK HAZARD



Failure to follow these instructions can result in death, fire, or electric shock:

- To ensure the dishwasher is properly grounded, connect the ground wire to the green ground connector in the junction box. Refer to page 21 for further details on proper electrical wiring connections.
- Do not use an extension cord for this appliance.
- To reduce the risk of electric shock, fire, or injury to persons, the installer must ensure that dishwasher is completely enclosed at the time of installation.

BEFORE INSTALLATION

- In addition to these instructions, the dishwasher shall be installed in accordance with all local codes, or in absence of a local code:
 - In the United States, with the National Electric Code ANSI/NPA70- latest edition.
 - In Canada, with the Canadian Electric Code C22.1-latest edition/ Provincial and Municipal codes and/or local codes.
- Only connect the dishwasher to the power supply when all installation and plumbing work is complete. Before installation or service, disconnect the power supply to the work area by unplugging the unit, “tripping” the circuit breaker, or removing the fuse.



Do not use the dishwasher until it is correctly installed. Do not push down on the door when it is open. Do not place excessive weight on the open door.

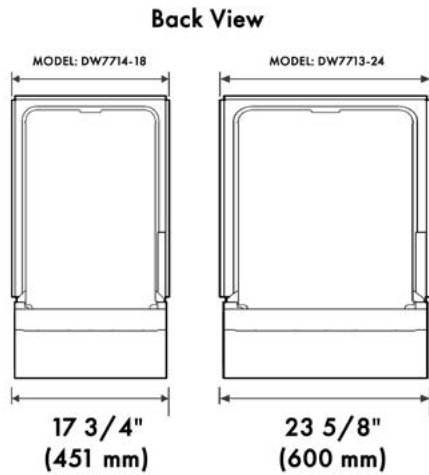
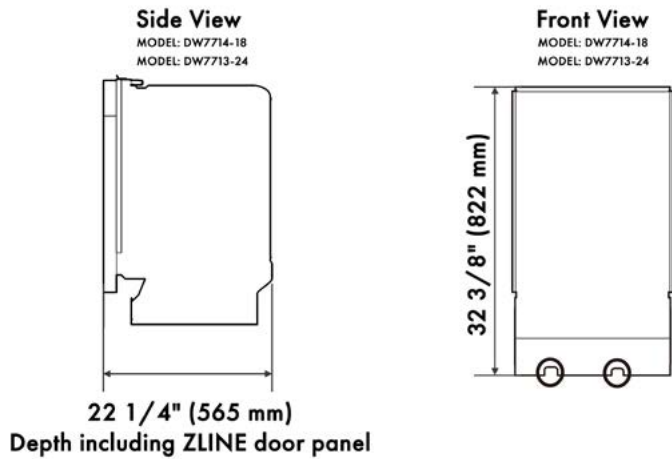
WATER CONNECTION SAFETY

- Make sure to use a new water supply line. Old lines are susceptible to breakage because they become hardened and may cause property damage due to a water leakage.
- The dishwasher must be connected to a hot water supply with a temperature between 120 °F–149 °F (49 °C–65 °C). This temperature range provides the best washing result and shortest cycle time. Temperature should not exceed 149 °F (65 °C) to prevent damage to dishes.
- Ensure that the water supplied to the dishwasher does not freeze. Frozen water can damage the hoses, valves, pump, or other components.
- Do not use plastic tubing. Plastic tubing can deteriorate over time and cause a leak inside the tube fitting. We strongly recommend using copper tubing with a compression fitting or a flexible stainless steel braided hot water supply line.
- Ensure that there are no visible water leaks during and after the first use of the appliance.
- To avoid risk of injury, always use caution when opening the door during or following a wash cycle, as hot water or steam may escape.

BEFORE INSTALLATION

PRODUCT DIMENSIONS

SPECIFICATIONS	
DW7714-18 Dimensions (18" Model - Panel Ready)	<ul style="list-style-type: none"> • 17 3/4" W x 21 5/8" D x 32 3/8" (min) - 34 1/8" (max) H • 451 mm W x 549 mm D x 822 mm (min) - 867 mm (max) H
DW7713-24 Dimensions (24" Model - Panel Ready)	<ul style="list-style-type: none"> • 23 5/8" W x 21 5/8" D x 32 3/8" (min) - 34 1/8" (max) H • 600 mm W x 549 mm D x 822 mm (min) - 867 mm (max) H



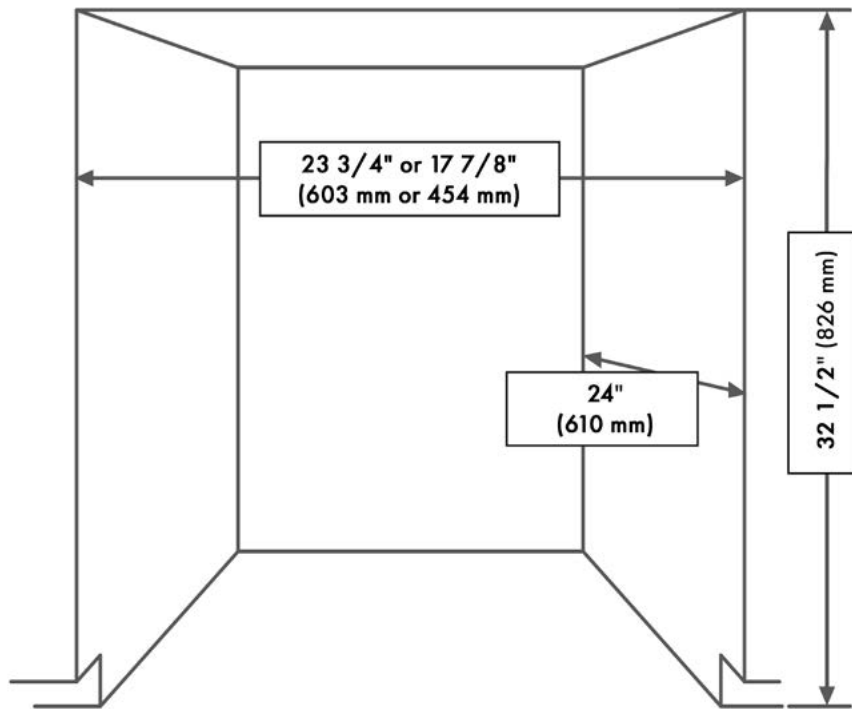
PRE-INSTALLATION NOTES:

- When installing a ZLINE door panel (see instructions on page 23), the depth of each unit increases to 22 1/4" (565 mm). The depth of each unit including the panel and handle is roughly 24" (610 mm). Depths may vary if you install a custom panel.
- Minimum and maximum heights take into account the legs, which can be extended on both models by roughly 1 3/4" (44 mm).
- The power cable and water line run from behind the dishwasher through the channels underneath (see Front View image above) to connections in the front.

BEFORE INSTALLATION

CUTOUT DIMENSIONS

This dishwasher is designed to be enclosed on the top and on both sides within a standard residential kitchen cabinet unit. The installation enclosure must be clean and free of any obstructions. Below are recommended cabinet cutout dimensions based on the panel ready specifications provided on the previous page:



PRE-INSTALLATION NOTES:

- While the depth cutout is based on standard cabinet depths of 24" (610 mm), please note the depth of the unit itself is smaller.
- In order for the door panel of the dishwasher to be flush with the leading edge of the counter top, the counter top must be at least $22 \frac{1}{4}''$ (565 mm) deep. This depth may vary if you install a custom door panel.
- $32 \frac{1}{2}''$ (826 mm) is the minimum height based on legs being at their lowest setting.
- For proper kick plate height installation, there needs to be a 2–3" (51–76 mm) wood filler between the bottom of the counter top and the top of the dishwasher so as to not over extend the bottom of the dishwasher.
- **NOTE:** Since kitchen layouts vary, ZLINE recommends consulting with a professional installer to verify cabinet dimensions before installing the appliance.

INSTALLATION

INSTALLATION INSTRUCTIONS

Step 1: Check the Parts and Tools

- If the dishwasher is a new installation, most of the installation work must be done before the dishwasher is moved into place. If the dishwasher is replacing an old dishwasher, you must check the existing dishwasher connections for compatibility with the new dishwasher. Replace the existing connections as necessary.
- Before beginning installation, prepare all the necessary tools and parts required. This will save installation time and simplify the installation process. Check the chart below.

PARTS SUPPLIED	
<ul style="list-style-type: none"> • Installation bracket #1 x2 • Installation bracket #2 x2 • ST3.9* 13 x2 (for the kick plate) • ST4* 14 x10 (for install brackets 1&2) • ST3.5* 9 x2 • ST3.5* 45 x4 (for the dishwasher panel) 	<ul style="list-style-type: none"> • ST3.5* 25 x2 (for the dishwasher panel hook) • Dishwasher panel hook • Adjustment cap x2 • Cable tie (for the drain hose) • Kick plate • Condensation strip
NOT PROVIDED	
<ul style="list-style-type: none"> • Twist-on wire connectors • Strain relief (optional) • Electrical tape & standard duct tape • Hot water supply line (3/8" flexible braided line recommended) • 90° Elbow (3/8 MIP x 3/8 Compression) • Tube fittings 	<ul style="list-style-type: none"> • Air gap (optional) • Rubber connector (optional) • Hose clamp • Power cable • Teflon tape or sealing compound • Dishwasher panel (sold separately by ZLINE or custom type supplied by customer)
TOOLS REQUIRED (NOT PROVIDED)	
<ul style="list-style-type: none"> • Electric drill • Safety glasses • Gloves • Adjustable wrench • Wire stripper • Pliers • Tape measure • Pencil • Phillips screwdriver 	<ul style="list-style-type: none"> • Tubing cutter (optional) • Cutting knife • Hole saw (optional) • Torx t20 screwdriver • Hex/Allen wrench • Flashlight • Nipper • Flathead screwdriver • Level

INSTALLATION

Step 2: Select the Best Location for the Dishwasher

The following criteria are important to ensure the best location for the dishwasher:

- The location must have a solid floor that is able to support the weight of the dishwasher.
- The location must be near a sink with easy access to the water supply, drain, and electrical outlet.
- For the drain to operate properly, the dishwasher should be installed within 10" of the sink.
- The location must let you load your dishes into the dishwasher easily.
- The location must have sufficient space for the door to open easily and provide enough space between the dishwasher and the cabinet sides (at least 1/8", or 3 mm).
- If the dishwasher is installed in a corner, ensure that the side of the dishwasher is more than 2" (51 mm) from the wall or cabinet.
- The wall at the back must be free of obstructions.

If this is a new installation, follow these steps:

1. Using a hole saw, cut a hole into the side of the cabinet that holds the sink, as shown in Figure 1-1 below.
2. If the base inside the sink cabinet is raised above the kitchen floor and is higher than the connections on the dishwasher, make a hole in the base inside the cabinet and in the cabinet side as shown in Figure 1-2. **NOTE:** Depending on where your electrical outlet is, you may need to cut a hole in the opposite cabinet side.

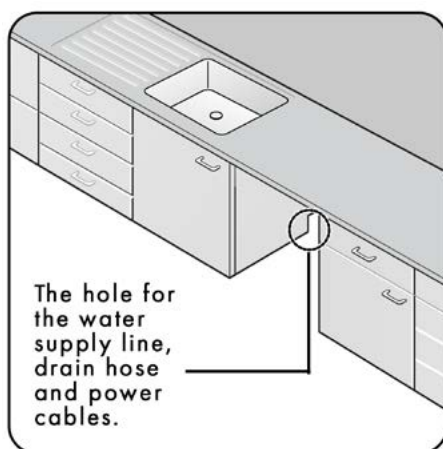


Figure 1-1

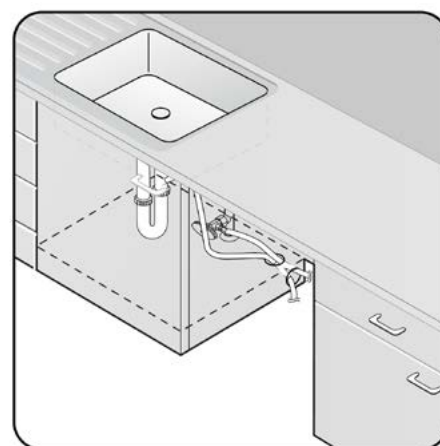


Figure 1-2

INSTALLATION

Step 3: Check Water Supply Requirements and Cautions

- The hot water supply line pressure must be between 20 PSI and 145 PSI.
- Adjust the water heater to deliver water between 120 °F– 149 °F (49 °C–65 °C).
 - This temperature range provides the best washing result with the shortest cycle time. Temperatures also should not exceed 149 °F (65 °C) to prevent damage to dishes.
- Ensure that the water supply valve is turned off before connecting the hot water supply line to the dishwasher.
- Seal the hot water supply line connections using Teflon tape or sealing compound to stop any water leakage.
- When you install the dishwasher, ensure there is nothing on the drain hose — which comes already attached to the back of the unit — and be careful not to tear it during the installation process.

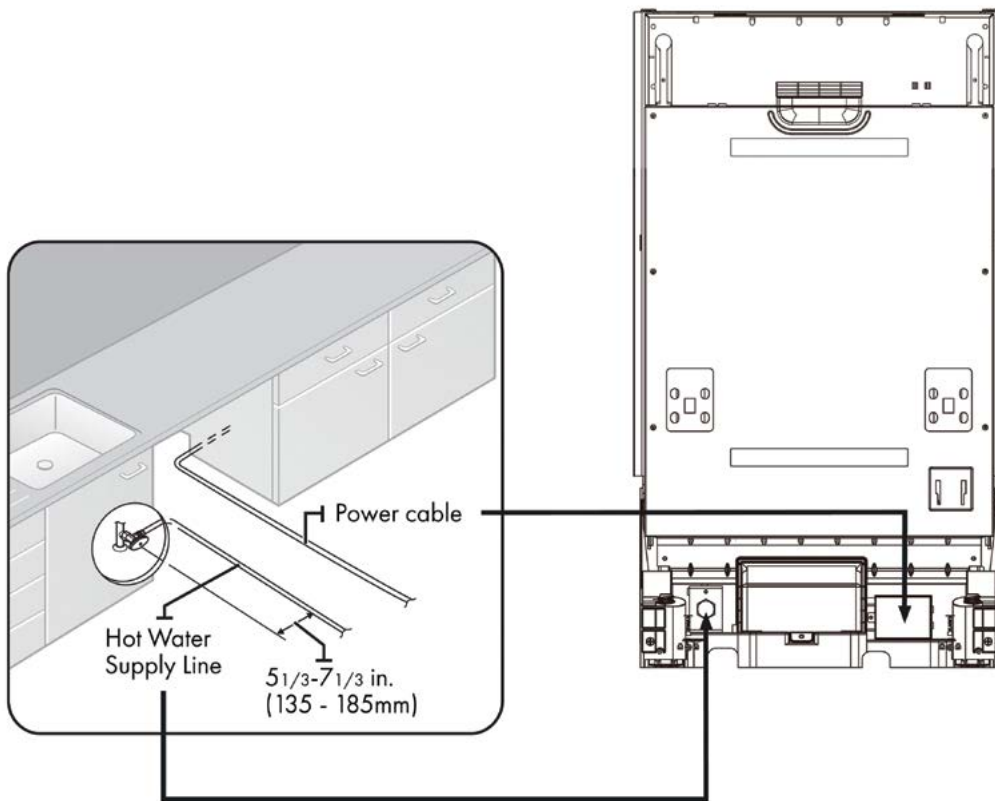


Figure 2

INSTALLATION

Step 4: Check the Electrical Requirements and Cautions

The electrical requirements for the dishwasher are as follows:

- In the United States, install in accordance with the National Electric Code/State and Municipal codes and/or local codes.
- For cable direct connections.
 - Use flexible, armored or non-metallic sheathed, copper wire with a grounding wire that meets the wiring requirements for your local codes and ordinances.
 - Use the strain relief method provided with the wiring junction box on the dishwasher, or install a UL-listed/CSA-certified clamp connector to the wiring junction box. If using conduit, use a UL-listed/CSA-certified conduit connector.
 - The power cable and water line run through channels under the dishwasher (see Figure 3) to connections in the front.

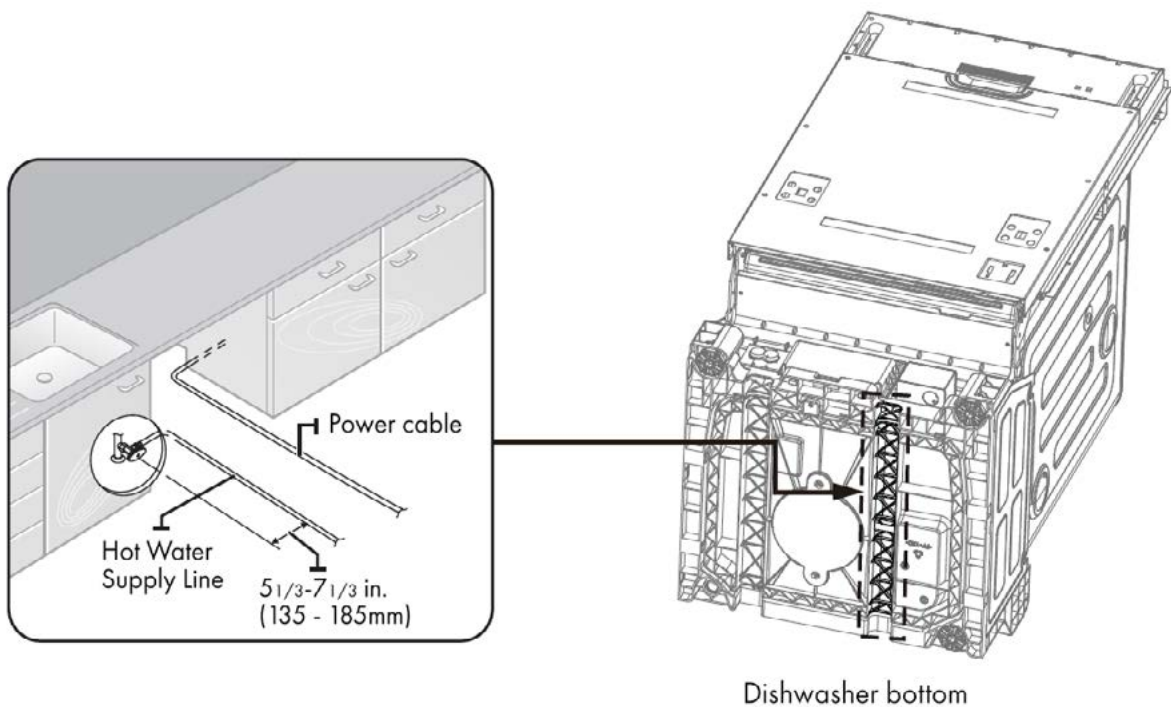


Figure 3

INSTALLATION

Step 5: Unpacking and Inspecting the Dishwasher

Unbox the dishwasher in an open area free of obstruction both around the carton and overhead. We recommend that you retain the carton and all of the packing materials until the dishwasher is fully installed and operational to ensure you have removed all the product's components from the carton prior to disposal.

Unboxing:

1. Unbuckle or cut the four straps securing the carton top.
2. Lift the top of the telescoping carton clear of the carton tray and the contents, and then turn it over and place it on the floor.
3. Put the straps and all of the packing materials from around the dishwasher inside the carton top, inspecting them for any signs of damage.
4. Lift the dishwasher from the carton tray, and then place it on the floor. Put the tray into the carton top.
5. Remove the bag that protects the dishwasher during shipping.



ALWAYS LIFT THE DISHWASHER TO MOVE IT.

Sliding it over rough surfaces can damage the dishwasher's feet and sliding the feet over finished surfaces can, in some cases, damage that finish or the underlying surface.

6. There is also packing inside the dishwasher that you may want to leave in place until the dishwasher is installed.
7. Do not, under any circumstances, remove the sound-absorbent padding that surrounds the exterior of the tub of the dishwasher.

Mechanical Inspection:

1. Check the plastic base assembly to ensure that it is intact.
2. Check the dishwasher's feet to ensure they are in place and can be adjusted so you can level and secure the dishwasher.
3. Check all the visible components on the bottom of the dishwasher to ensure they are intact and secure.
4. Check the door latch and operation of the hinges, as well as confirm the door is properly secured to the dishwasher.

INSTALLATION

Step 5: Unpacking and Inspecting the Dishwasher Continued

Plumbing Inspection:

1. Check the hot water connection on the front left side of the base of the dishwasher. The mounting plate should be secured to the front of the base, the threads inside the connection should be smooth and shiny, and the area should be clean and free of any debris.
2. Check the plastic base and sensor cases to ensure these assemblies are not cracked and that all connections are secure.
3. Check the drain hose for any holes or deformities that could allow a water leak during draining.

Electrical Inspection:

1. Confirm the junction box cover is secured to the junction box on the front right side of the base of the dishwasher.
2. Confirm the electrical box was not damaged during shipping and that it is secured to the base of the dishwasher.

Appearance Inspection:

1. Confirm there are no dents or scratches on the front of the dishwasher
2. Check the edges of the doors for any roughness or cracking
3. Check the control panel to ensure it is clear and unscratched, and that all the control markers are in their proper places.

Parts Inspection:

1. Confirm you have all the parts listed in Step 1 (see page 8).

NOTE: If the unit arrives damaged or if provided parts are missing, contact ZLINE Customer Service at 1-614-777-5004 for help.

INSTALLATION

Step 6: Preparing the Dishwasher



Ensure that the circuit breaker and water supply valve are turned off before proceeding with the following steps.

1. Before you move or lay down the dishwasher for installation, adjust the height of the legs so they are as short as possible. This prevents the legs from breaking. Level the dishwasher by adjusting the legs after you have the dishwasher in place.
2. Make sure there are no kinks and that the hose is not bent at any extreme angles that might constrict the flow of water.
3. Remove the junction box cover located at the bottom front right of the dishwasher using a screwdriver, and then install the strain relief (see Figure 4-C). Make sure to keep the junction box cover; it is used in "Step 11: Electrical Wiring Connections" on page 21.
4. If the countertop is made of wood or a material not damaged by drilling, attach the two installation brackets supplied with the dishwasher using the supplied screws (see Figure 4-A). They will be used in "Step 9: Securing the Dishwasher" on page 17.
5. Fasten a 90° Elbow joint onto the water inlet valve located at the bottom front left of the dishwasher (see Figure 5); wrap Teflon tape or sealing compound around the thread of the 90° Elbow to ensure a snug seal.



Do not overtighten the 90° elbow. Doing so may damage the water inlet valve and cause a water leak.

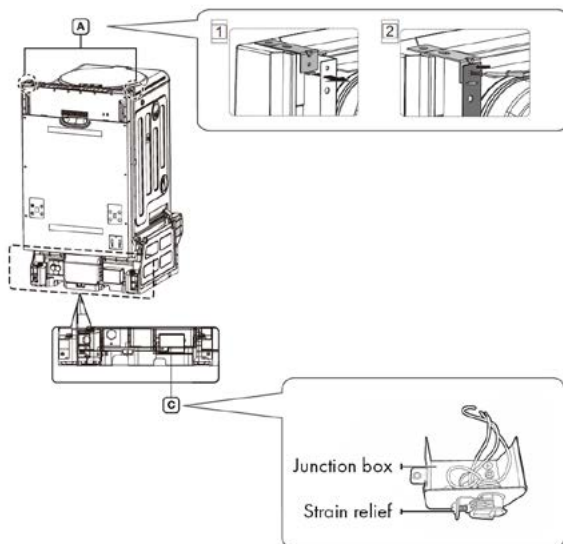


Figure 4

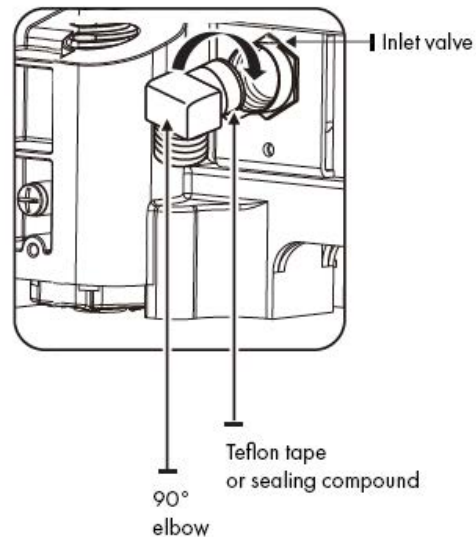


Figure 5

INSTALLATION

Step 7: Placing the Dishwasher and Connecting the Hot Water Supply Line

1. Adjust the three leveling legs at the bottom of the dishwasher after measuring the height of the cabinet opening from under the countertop to the floor (see "Step 8: Leveling the Dishwasher" on page 16).
2. Locate the hot water supply line and the power cable.
3. Place the dishwasher so that the power cable is in the right channel of the base of the dishwasher (see Figure 6). Use standard duct tape or cable ties to secure the electrical cable to their adjacent channels in the base. This can prevent the electrical cable from being squeezed when you push the dishwasher into place.
4. Pull the drain hose from the back of the dishwasher through the hole in the sink cabinet side wall. Keep it free of kinks and fasten it to the drain hose connector of the sink (see Figure 7). See Step 10: Connecting the Drain Hose, pages 19–20 , for more information on connecting the drain hose.
5. Run the water line through the left channel of the base of the dishwasher and then connect the hot water supply line to the 90° elbow joint.
6. Slide the dishwasher carefully into the installation space. If possible, gently pull any excess lengths of water supply line, drain hose, or power cable back as you move the dishwasher. Get a second or third person to help you do this if necessary.



Do not place the dishwasher on the water supply line, drain hose, or power cable. Also, make sure they are not folded or twisted.

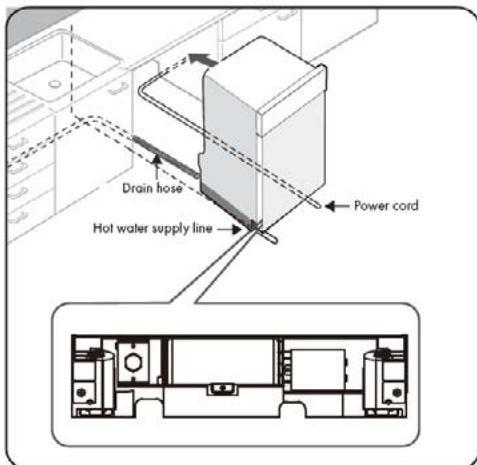


Figure 6

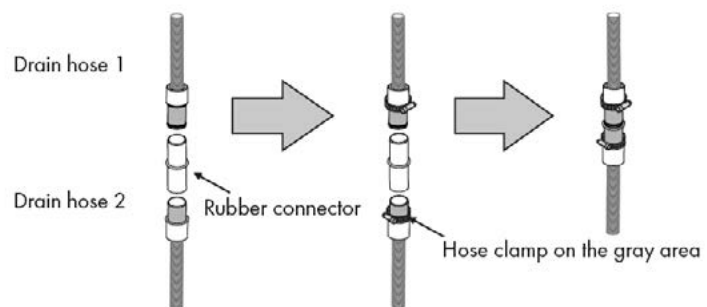
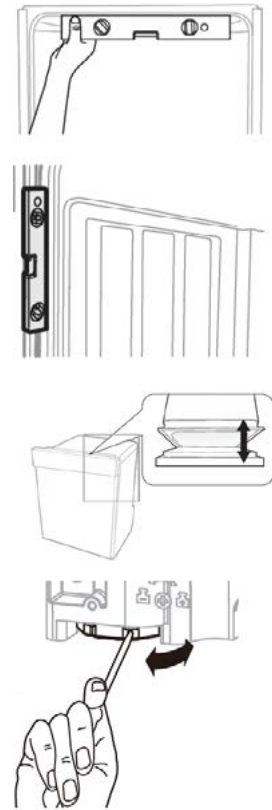


Figure 7

INSTALLATION

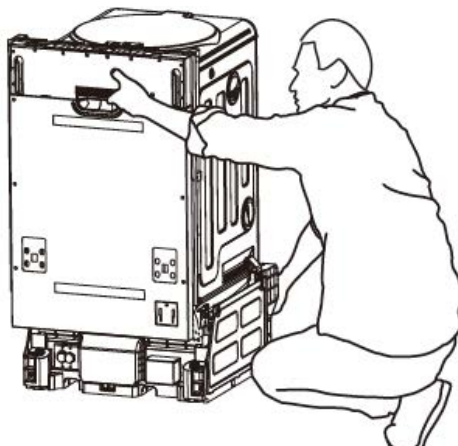
Step 8: Leveling the Dishwasher

1. Open the door and place the level against the top of the tub on the inside and check if the dishwasher is level. If it is not level, rotate the leveling legs at the bottom front of the dishwasher until the dishwasher is level. See the first note below for instructions on adjusting the height of the front legs. Legs can be adjusted by roughly 1 3/4" (44 mm).
2. Use the level to check if the dishwasher is level front to back, as shown at right. If the dishwasher is not level front to back, adjust the height of the rear legs until the dishwasher is level. See the second note below for the instructions on adjusting the rear legs.
3. Open the door of the dishwasher and check if both the tub and door clearances are correct. You can also check this by placing a level against the inside front vertical surface of the tub.



NOTES:

1. Before you move the dishwasher for installation, make sure to adjust the height of the legs to be as short as possible. This prevents the legs from breaking. You can adjust the front legs by tilting the unit back and turning them easily clockwise or counter-clockwise.
2. When adjusting the rear legs, don't tilt the unit. Rather, you'll want to use a flathead screwdriver or similar object to turn clockwise or counter-clockwise. Hold the front of the unit while adjusting to ensure stability.



INSTALLATION

Step 9: Securing the Dishwasher

- You must secure the dishwasher to the countertop or cabinet side walls for additional stability.
- If the countertop is made of wood or a material that will not be damaged by drilling, follow the instructions in Option 1 below.
- If the countertop is made of granite, marble, or any other material that can be damaged by drilling, follow the instructions in Option 2 below.



Thoroughly clean the underside of the countertop where the dishwasher will go. Measure and cut the condensation strip to match the opening. Attach the condensation strip to the underside of the counter, close the front edge. This disperses the steam away from the edge of the dishwasher.

1. Put a large towel into the bottom of the dishwasher to prevent wood shavings or a dropped screw from falling into the dishwasher. Carefully drill screw holes into the countertop bottom by passing the drill bit through a screw hole in each bracket, and then drilling into the countertop bottom beneath. Make sure the hole you drill is smaller than the diameter of the screw. Next, put the installation bracket into the slot of the side frame and tighten to the dishwasher with screw ST3.5*9. Then, insert the provided screws into the brackets and tighten to secure the dishwasher to the countertop. See Figure 8 on the next page.
2. Put a large towel into the bottom of the dishwasher to prevent wood shavings or a dropped screw from falling into the dishwasher. Remove the adjustment cap with the tip of a screwdriver. The caps are just inside the tub near the middle on both sides (see Figure 9 on the next page). Carefully drill a hole into the sides of the kitchen cabinet on both sides through the screw holes exposed by the removal of the caps, and then drilling into the cabinet side beneath. Make sure the hole you drill is smaller than the diameter of the screw. Also make sure the drill bit does not strike the sides of the spacer cap holes.



Scan to follow along with a video.

INSTALLATION

Step 9: Securing the Dishwasher, Option 2, Continued

Next, put the installation bracket into the slot of the side plane and tighten to the dishwasher with screw ST3.5 * 9. Then, insert the provided screws into the holes and tighten to secure the dishwasher to the cabinet. See Figure 10 below. Make sure the tub is not distorted by pressure from the screws. If the tub is distorted, loosen the screws a little. Lastly, replace the tub spacer caps.

NOTE: The screws or adjustment caps may fall into the dishwasher while you are working with the door open.

- If any foreign items such as a screw get into the dishwasher, it may cause noise, abnormal operation, damage, or malfunction.
- Use a magnetic screwdriver to help prevent screws from falling into the dishwasher.
- If a foreign item such as a screw gets into the dishwasher and you are unable to remove it, the dishwasher needs to be disassembled. Contact a qualified service technician for this.

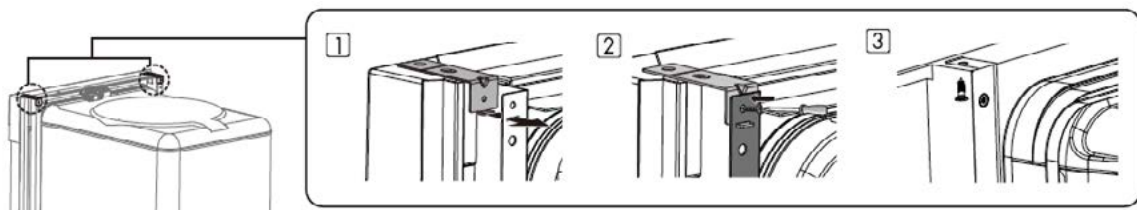


Figure 8

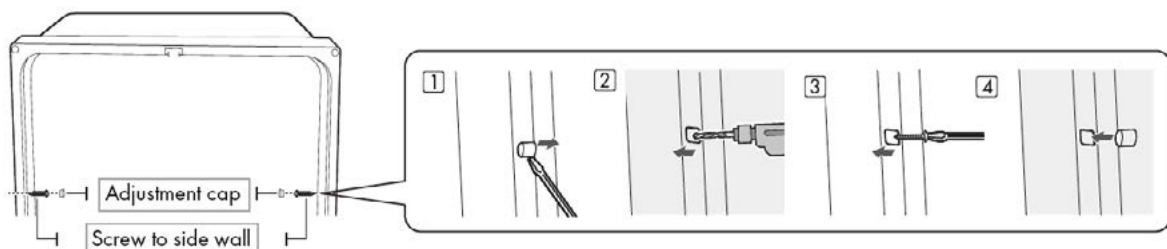


Figure 9

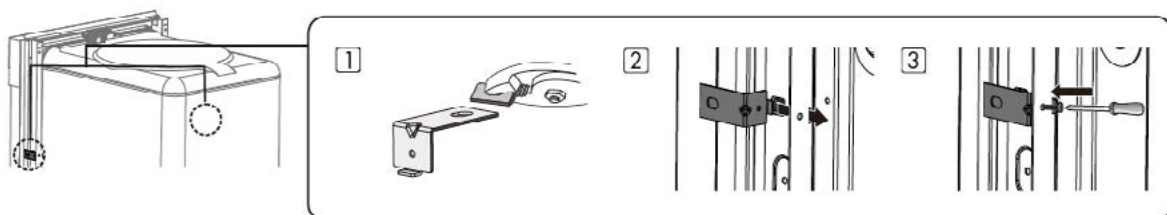


Figure 10

INSTALLATION

Step 10: Connecting the Drain Hose

Check the parts on the sink where the drain hose will be connected.

1. There are several ways to insert the drain hose into the drain hose connector of the sink, as shown in the following figure. You must connect the drain hose in accordance with the drain pipe installation regulations in your region.

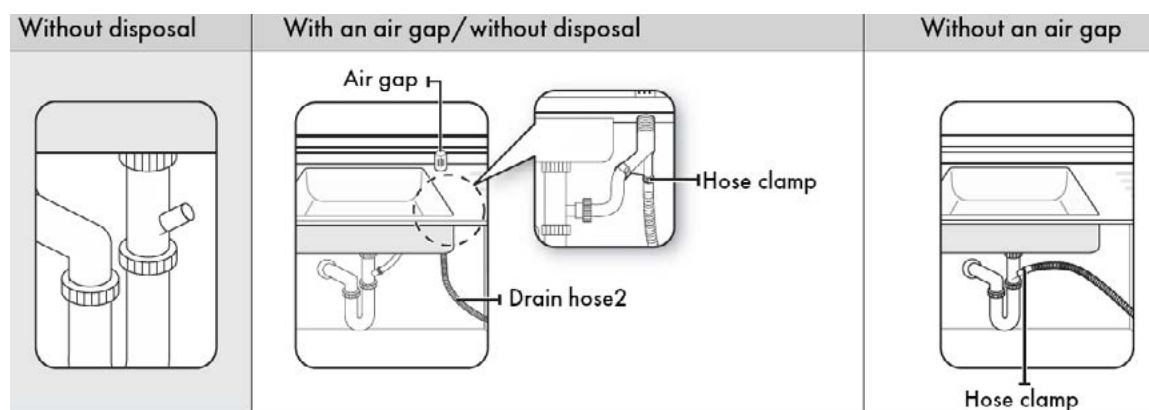


Figure 11

Check the size of the sink's drain hose connector (7/8" / 22 mm) — as shown in Figure 12 on the next page). If the end of the drain hose does not fit onto the drain hose connector of the sink, use an adapter purchasable at a plumbing/hardware supply store.

2. Slide a hose clamp over the end of the drain hose. Attach the drain hose to the sink connector, slide the hose clamp to the end of the hose, and then tighten the hose clamp.

NOTE: You must use a hose clamp. Failure to do so may cause water leakage.

3. If there is no air gap, make sure to hang the middle of the drain hose well above the sink cabinet base to prevent backflow (see Figure 14, letter A, on the next page).
4. When drilling a hole for the drain hose on the cabinet wall, use care not to damage the drain hose by sharp edges of the hole. On wooden walls, use sand paper to soften the edges. On metal walls, use insulation tape or duct tape to cover the sharp edges around the hole.
5. Also use care not to damage the drain hose (Figure 14, letter B) when installing the dishwasher on the floor, wall, or cabinet.

INSTALLATION

Step 10: Connecting the Drain Hose Continued

- To prevent leaks or drainage problems, make sure the drain hose is not damaged, kinked, or twisted.
- Do not cut the corrugated area of the drain hose to fit the size. When arranging the drain hose, use care to avoid contact with sharp edges of the cabinet or under-sink.



- Be careful when cutting the drain hose as there is a risk of injury. Clean around the sink's drain connection so that it does not damage the hose. Check for any foreign items in the drain hose and remove them.
- When arranging the drain hose, make sure the drain hose is not cut, torn, or broken by any sharp edges of the floor, the product itself, or the cabinet. A damaged drain hose causes a leak.

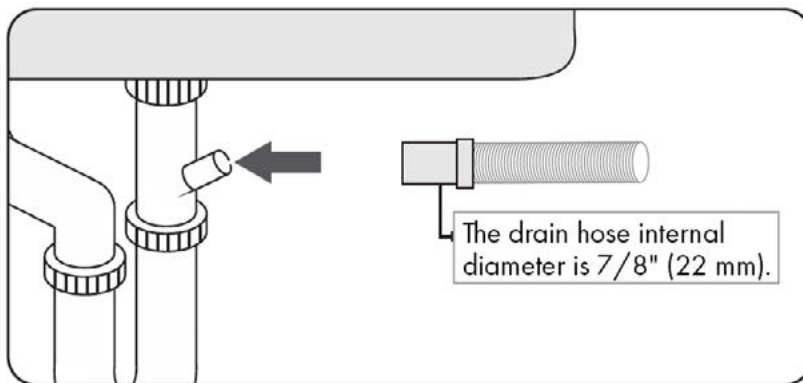


Figure 12

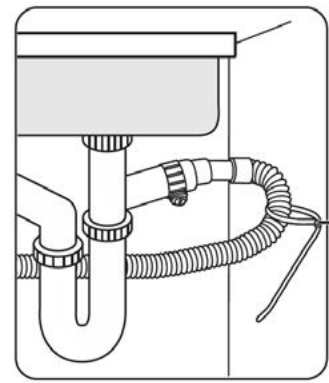


Figure 13

- Lastly, secure the drain hose to the sink wall using cable ties or other fastening materials (see Figure 13). Otherwise, the drain hose may bend at the end causing a drainage problem or excessive supply of water.

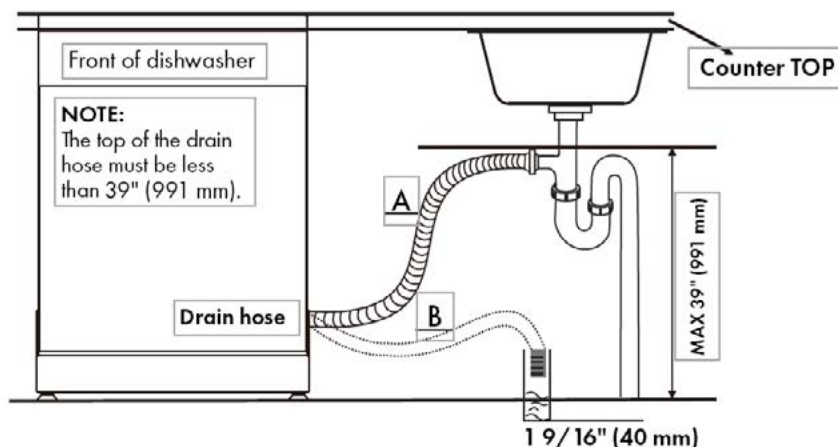


Figure 14

INSTALLATION

Step 11: Electrical Wiring Connections

1. Before connecting the power cable to the dishwasher, make sure the circuit breaker is completely turned off.
2. In the junction box located at the front bottom right of the dishwasher, find the three power wires from the dishwasher, including the green grounding line (Figure 15).
3. Pass the power cable through the strain relief and into the junction box. Connect the black wire of the dishwasher to the black wire of the power cable by inserting both into a twist-on wire connector and then rotating until snug (Figure 16).
4. Connect the white wire to the white wire and the green wire to the green wire in the same manner as Step 3.
5. Recheck the wires to ensure they are connected correctly and securely. Each colored wire should be connected to the corresponding wire of the same color.
6. Replace the junction box cover on the dishwasher.

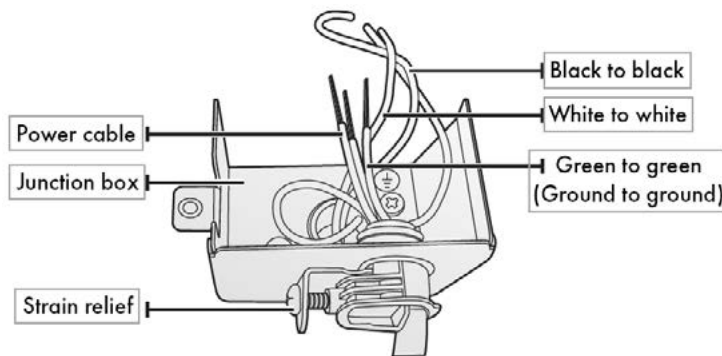


Figure 15

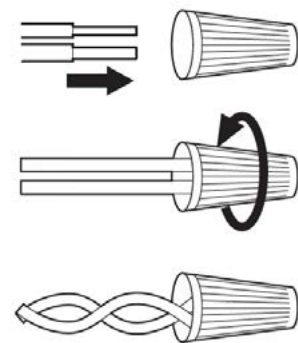


Figure 16



Electrical Shock Hazard

To avoid electrical shock, do not work on an energized circuit. Doing so could result in serious injury or death. Only qualified electricians should perform electrical work. Do not attempt any work on the dishwasher's electric supply circuit until you are certain power is disconnected.

Fire Hazard

To avoid fire hazard, make sure electrical work is properly conducted. Only qualified electricians should perform electrical work.

INSTALLATION

Step 12: Completing the Installation

1. Open the door and remove all foam, paper packaging, and unnecessary parts.
2. Turn on the circuit breaker you turned off before you began the installation.
3. Open the water supply valve to supply water to the dishwasher and check one more time for any leaks or bad connections.
4. Turn on the dishwasher, and select and run a cycle.
5. To install the kick plate with screw ST3.9* 13, refer to Figure 17.



- Check if the power turns on correctly and if there is any water leakage while the dishwasher is operating. If no errors occur while it is operating, refer to the User Manual for operation procedures.
- If an error has occurred, turn off the dishwasher, close the water supply valve, turn off power, and refer back to step 5. Make sure to check for water leakage on both ends of the water supply line and drain hose connector.
- Refer to the Troubleshooting section of the User Manual to address any error codes. If problems persist, contact ZLINE Customer Service at 1-614-777-5004 for help.

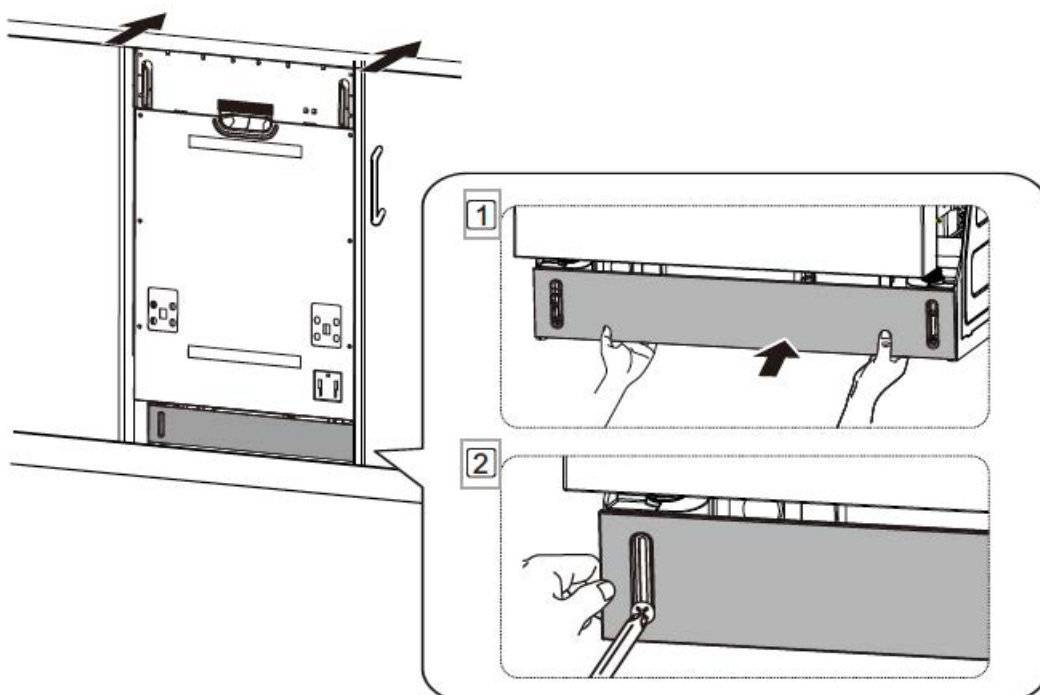


Figure 17

INSTALLATION

Step 12: Completing the Installation Continued

6. Install the panel to the outer door of the dishwasher.

- Install the hook and brackets on the dishwasher panel (see Figure 18).
- Put the hook into the slot of the outer door (see Figure 19).
- Fasten the dishwasher panel onto the outer door with the correct screws and bolts (see Figure 20).

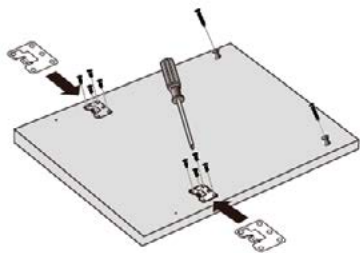


Figure 18

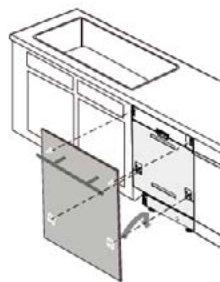


Figure 19

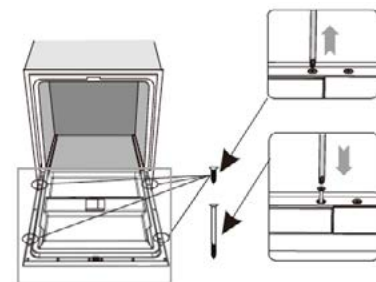


Figure 20

7. Adjust the tension of the door spring.

- The door springs are set at the factory to the proper tension of a field installed ZLINE panel. If a custom panel is installed, you will have to adjust the door spring tension.
- Rotate the adjusting screw to drive the adjuster to strain or relax the steel cable (see Figure 21). Both adjuster springs need to be adjusted evenly or water leaks could result from a poor seal.
- Door spring tension is correct when the door remains horizontal in the fully opened position, yet rises to a close with the slight lift of a finger.

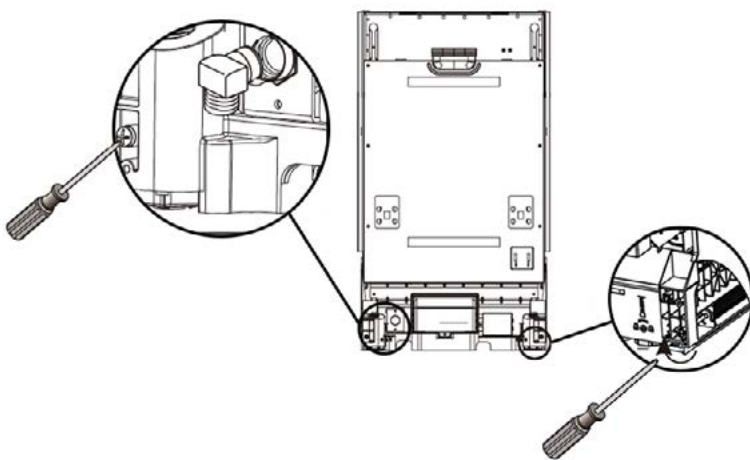
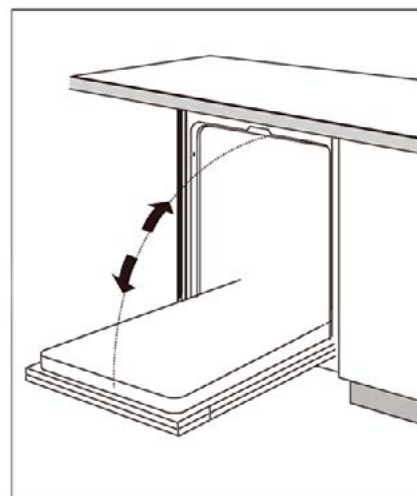


Figure 21



Scan to follow along with a video.

WARRANTY

COVERAGE

ZLINE Kitchen and Bath dishwasher products will be warrantied for one year from the original purchase date for the original purchaser of the product. This warranty covers all parts and labor for necessary repairs if any part of the product proves to be defective in materials or workmanship. The product must be deemed serviceable via troubleshooting with the ZLINE Kitchen and Bath service team. All service on ZLINE Kitchen and Bath dishwasher products under the above warranty must be performed by ZLINE approved and certified service, unless otherwise specified by ZLINE Kitchen and Bath. Service will be provided during normal business hours.

TERMS

This warranty applies only to the original purchaser of the product installed for normal residential use. This is defined as a single-family, residential dwelling in a non-commercial setting. Commercial settings include but are not limited to: schools, churches, hotels, restaurants, vacation rentals such as Airbnb, day care centers, private clubs, fire stations, common areas in multi-family dwellings, nursing homes, food service locations, and institutional food service locations such as hospitals or correction facilities. This warranty is non-transferable and will not be extended based on the date of installation. The warranty applies only to products installed in the continental United States and the District of Columbia.

Failure to secure certified warranty service per these terms will result in a forfeiture of the remaining warranty. Out of pocket payments will not be reimbursed unless prior approval is received from ZLINE Kitchen and Bath and/or our service contract partner. Unapproved out of pocket payments for service will not be reimbursed. All warranty procedures must be followed to maintain warranty coverage.

Warranty shall not apply and ZLINE Kitchen and Bath is not responsible for damage resulting from negligence, improper maintenance, misuse, abuse, alteration of or tampering with the appliance, accident, natural disaster, improper electric supply, unauthorized service or repair, improper installation, or installation not in accordance with the instructions contained in the manual or the local government codes.



WARRANTY

WHAT IS NOT COVERED

1. Installation or start-up damages or problems caused by improper installation or use.
2. Damage related to unauthorized service or unauthorized parts.
3. Installation in any commercial or non-residential application.
4. Aesthetic damage, scratches, or natural wear caused by normal use.
5. Second-hand, open box products, or products purchased from an unauthorized retailer.

NOTE: In the event that service is dispatched, and it is discovered that the reported issue is not covered under warranty based on the disclaimers above, the customer will be responsible for all service fees. Failure to pay these fees will result in the forfeiture of remaining warranty coverage.



	DISHWASHER MODEL: DW7713-24 SN: [redacted]			LISTED DISHWASHER	
VOLTAGE	120V AC	FREQUENCY	60Hz	PHASE	Single
TOTAL AMPS	6.67A	MOTOR	0.84A	HEATER	5.83A

The rating tag shows the model and serial number of your dishwasher. The product label and rating tag is located on the right-hand side of the inner door of the dishwasher. The tag is visible when the dishwasher door is open. Do not remove permanently affixed labels, warnings, or plates from the product. This will void the warranty.

WARRANTY



SERVICE

For warranty service, please contact our Customer Service team at 1-614-777-5004 or visit www.zlinekitchen.com/contact to utilize our online Customer Experience Portal.



Need to purchase a part or accessory for your ZLINE product?
Visit www.zlineparts.com, ZLINE's official parts distribution partner.

2.1.1

1-614-777-5004

www.zlinekitchen.com

contact@zlinekitchen.com

ZLINE
ATTAINABLE LUXURY®